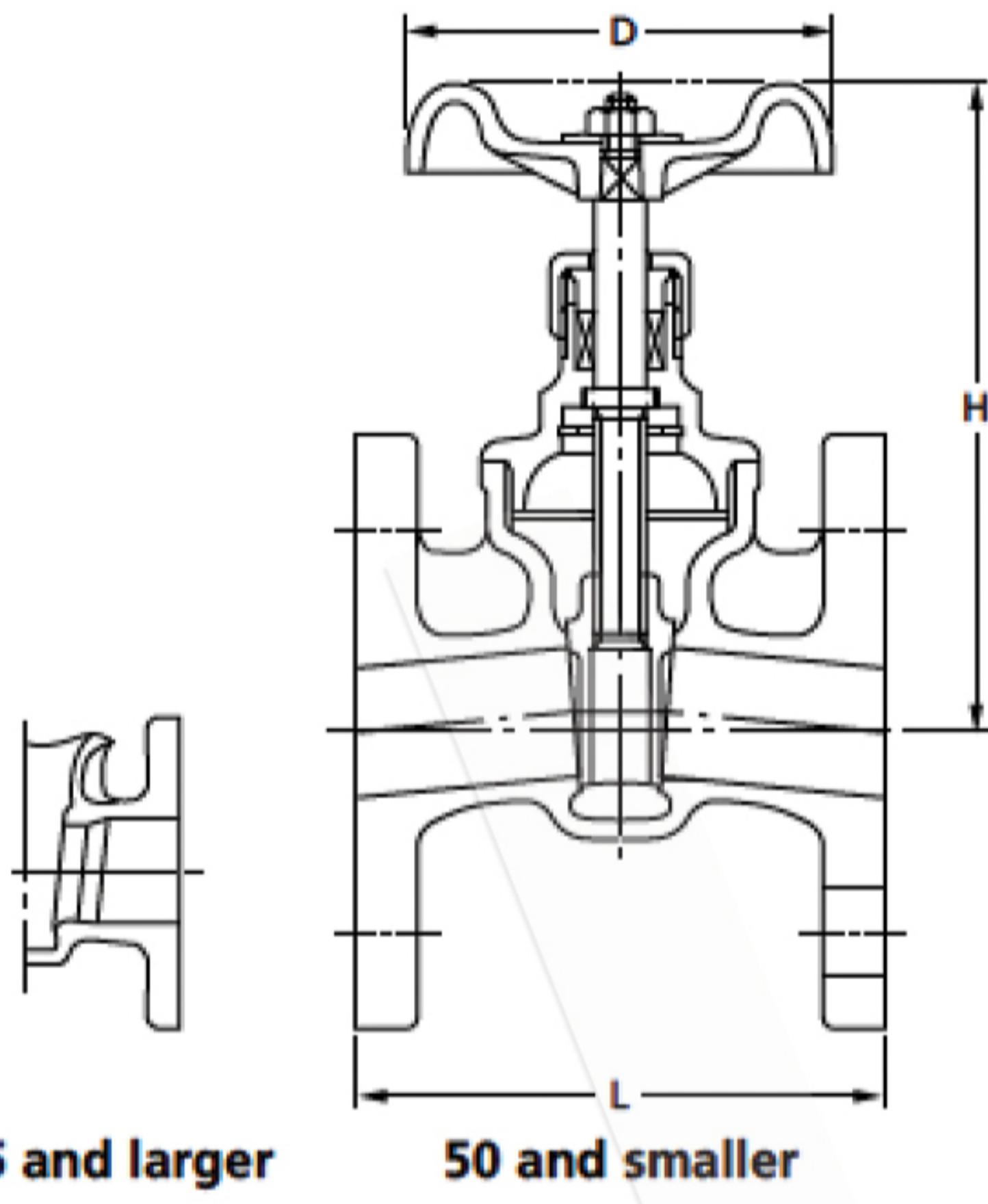


10K

GATE VALVE

Pressure-Temperature Rating: 1.0 MPa: 180°C

UEB



Parts	UEB	UEBM
Body	SCS13A	SCS14A
Bonnet	SCS13A	SCS14A
Stem	SUS304	SUS316
Disc	SCS13A	SCS14A
Gland	SUS304	SUS316
Gland packing	Refer to Page 10	
Packing nut	SCS13A/SUS304	
Handwheel	ZDC (15 & 20) / ADC12 (25 to 80)	
Snap ring	SUS316	
Name plate	A1050P	

Face to face dimensions: JIS B2011* *KITZ standard for Size 1/2 and 3/4
 End flange dimensions: JIS B2220** **Except flange thickness
 Wall thickness: KITZ Std.

Nominal Size	Unit: mm							
	1/2*	3/4*	1	1 1/4	1 1/2	2	2 1/2	3
L	85	95	100	110	125	140	170	190
H	99	105	116	128	170	188	248	275
D	70	70	80	80	100	100	135	155

*UEB only